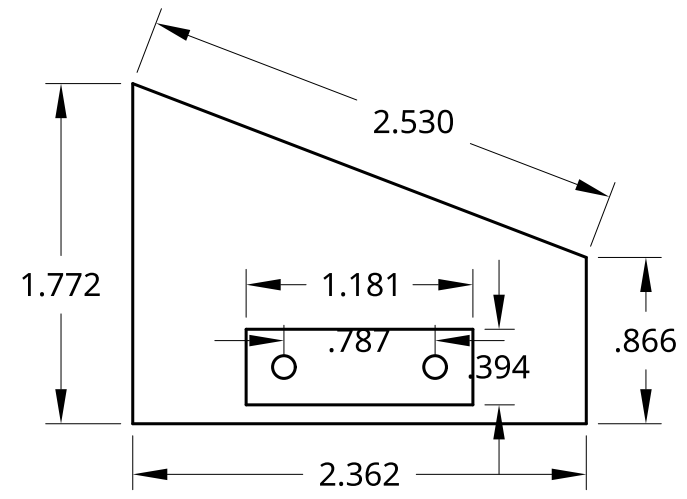
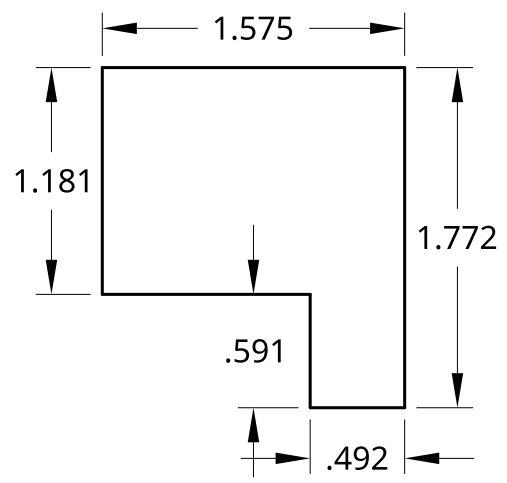
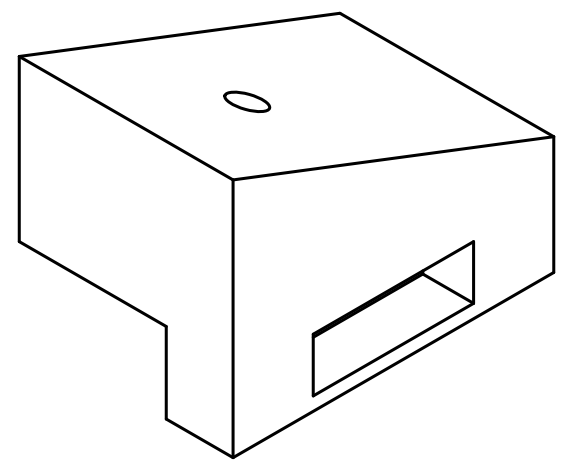
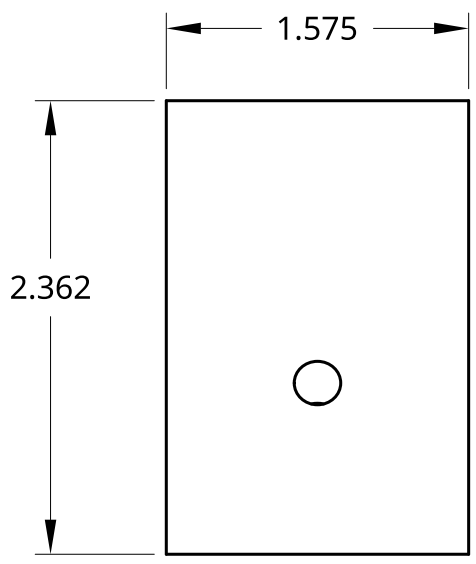


# Camera Mount



UNLESS OTHERWISE SPECIFIED, DIMENSIONS ARE IN INCHES .XX = ±.0- .XXX = ±.00- .XXXX = ±.000- SURFACE FINISH		NAME	DATE		
DO NOT SCALE DRAWING		DRAWN	DREW BUSCH	02/19/2019	TITLE
BREAK ALL SHARP EDGES AND REMOVE BURRS		CHECKED			----
THIRD ANGLE PROJECTION		APPROVED	---	---	----
		MATERIAL	FINISH		SIZE <b>A</b>
				DWG NO.	----
				REV.	-
		SCALE	1:1	WEIGHT	SHEET
				1 of 1	